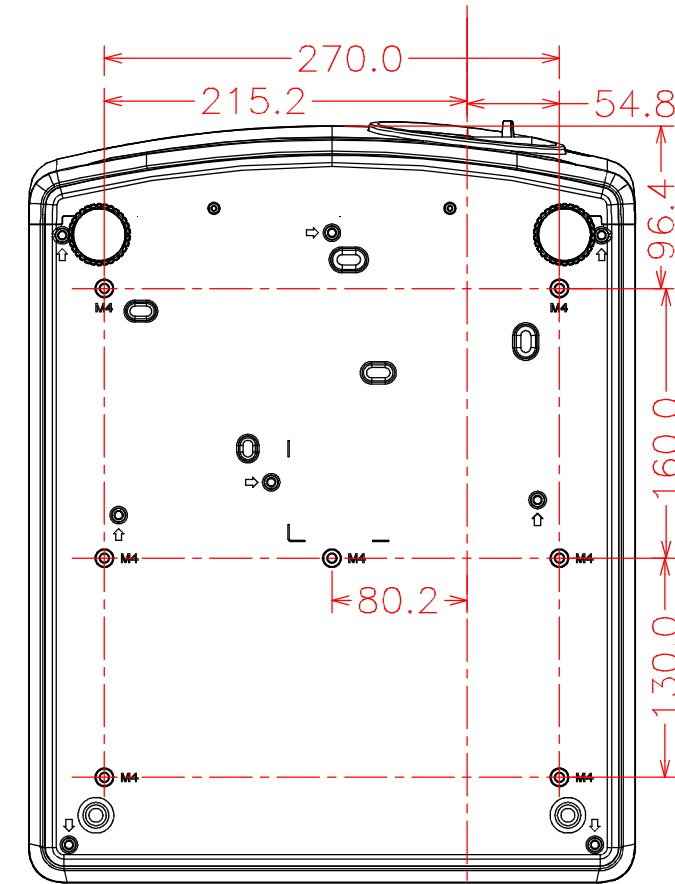


451.5



7 CEILING MOUNT HOLES
USE M4 SCREW, L=12MM (MAX)

